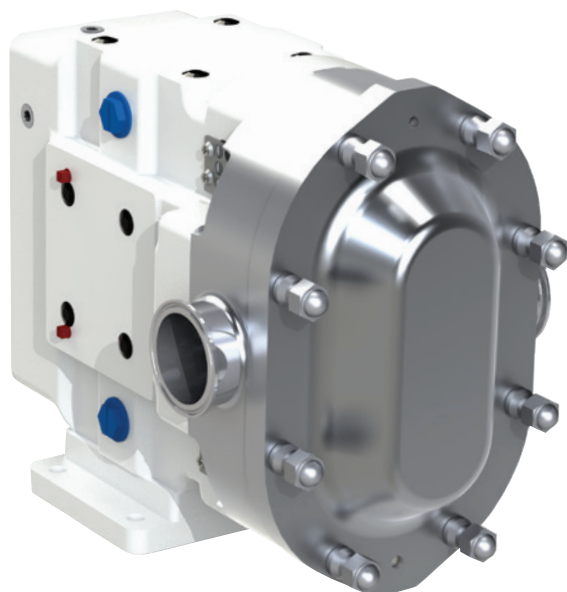




TRA®20 SERIES™ BY WRIGHT FLOW TECHNOLOGIES
CIRCUMFERENTIAL PISTON PUMP | HYGIENIC PRODUCT LINE



FEATURES & BENEFITS

CLEANABILITY

- CIP (Clean In Place) design optional
- Free draining cover with flat body profile option
- Sealed shaft with o-ring on rotor & rotor nut

PERFORMANCE

- Efficient handling for low & high viscosity applications
- Exclusive, non-galling WFT 808® alloy rotors standard; permits running at tighter clearances
- High strength 17-4 PH single piece shaft standard
- Improved load carrying capabilities

EASE OF MAINTENANCE

- Drop-in-place with TRA®10 & comparable manufacturer models
- Interchangeable service parts with comparable manufacturer models
- Stainless steel bearing retainers standard, prevent rusting

PERFORMANCE

MODELS

Model	Displacement		Max Pressure		Max Speed	Standard Ports		Max Capacity	
	USG/rev.	l/rev.	PSI	BAR	RPM	In	mm	GPM	m³/h
0060	0.008	0.03	300	21	1000	1	25.4	8	1.8
0150	0.014	0.052	250	17	800	1.5	38	11	2.5
0180	0.029	0.108	200	14	700	1.5	38	20	4.5
0300	0.06	0.227	250	17	600	1.5	38	36	8.2
0450	0.096	0.366	450	31	600	2	51	58	13.2
0600	0.15	0.568	300	21	600	2.5	64	90	20.4
1300	0.25	0.946	200	14	600	3	76	150	34.1
1800	0.383	1.45	450	31	600	3	76	230	52.2
2100	0.5	1.89	500	34	600	4	102	300	68.1
2200	0.516	1.95	300	21	600	4	102	310	70.4
3200	0.75	2.85	300	21	600	6	152	450	102

RECTANGULAR FLANGE MODELS

Model	Displacement		Max Pressure		Max Speed	Inlet (WxL)		Outlet		Max Capacity	
	USG/rev.	l/rev.	PSI	BAR	RPM	In	mm	In	mm	GPM	m³/h
0340	0.06	0.23	200	14	400	1.75 x 6.75	44.50 x 171.45	1.5	38.1	24	5.4
0640	0.15	0.57	200	14	400	2.24 x 8.82	56.90 x 224.03	2.5	57.15	60	13.6
1340	0.25	0.95	200	14	400	2.97 x 9.25	75.44 x 234.95	3	76.2	100	22.7
2240	0.52	1.95	200	14	400	3.87 x 11.00	98.30 x 279.40	4	101.6	200	45.4



CAPACITY
to 450 GPM
(102 m³/h)



PRESSURE
to 500 PSI
(34 BAR)



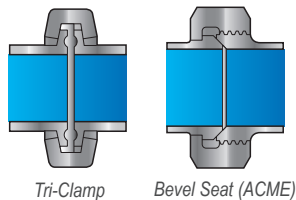
VISCOSITY
to 910,000 SSU
(200,000 cSt)



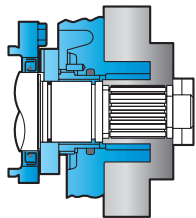
TEMPERATURE
to +300°F
(+150°C)

PORTING

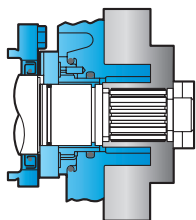
- Complete range of hygienic clamp, screw, flange & industrial screw connections
- Tri-clamp, flanged, DIN, IMDA, NPT, BSP, etc.



SEALING



- Single Mechanical
 - Standard Seal Faces: *SiC/SiC*
 - Standard O-rings & Cover Seals: *Buna/FDA*
 - Optional Faces: *Carbon, Ceramic or Chrome Oxide*
 - Optional O-rings & Cover Seals: *FKM, EPDM, Silicone*



- Double Mechanical with Flush
 - Standard Seal Faces: *SiC/SiC/C*
 - Standard O-rings & Cover Seals: *Buna/FDA*
 - Optional Faces: *Carbon, Ceramic or Chrome Oxide*
 - Optional O-rings & Cover Seals: *FKM, EPDM, Silicone*

CIP FEATURES AVAILABLE

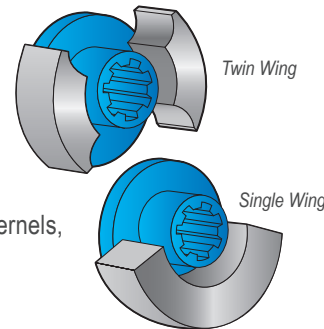
- Flat body profile
- CIP holes in body and rotors
- Vertical port mounting
- Extra clearance rotors

GEAR BOX

- Powder-coated standard
- 304 stainless steel optional

ROTOR & CASING OPTIONS

- 316 stainless steel pump casing standard w/ interior finished to 3-A standards
- Non-galling WFT 808® nickel alloy rotors standard or 316 stainless steel rotors optional
- Optional clearances: front face, hot, high temperature/high viscosity (chocolate)
- Clean In Place (CIP) & flat body profile available
- Twin Wing Rotors Standard
 - Suitable for all liquids, provides minimum pulsation
- Single Wing Rotors Optional
 - Provides reduced shear on shear sensitive fluids or large solids such as fruit pieces, nut kernels, cheese curds or meats



MOUNTING

- A gear case that can be mounted in any of four positions allows for horizontal or vertical porting, flexibility in drive shaft positioning to match reducer or gear motor input & improved access to grease fittings

TYPICAL APPLICATIONS

- Dairy
- Foods
- Pharmaceutical
- Bakery
- Confectionary
- Meat Processing
- Personal Care

WHY REMANUFACTURE?

- Worn pump is returned to **like-new condition & performance**
- Your remanufactured pump carries a **full 1 year factory warranty**
- All remanufactured pumps are **tested & certified**
- Save big** compared to purchasing an entirely new pump
- Pumps can be remanufactured **up to four times**, depending on model & wear

VIKING PUMP®

VIKING PUMP, INC.
A Unit of IDEX Corporation
406 State Street
Cedar Falls, Iowa 50613 U.S.A.
vikingpump.com

CONTACT YOUR STOCKING DISTRIBUTOR TODAY

BESTPUMP

HYGIENIC PUMPING SPECIALISTS

WEB: bestpump.co.uk
PHONE: +44 (0)1236 433799
EMAIL: info@bestpump.co.uk

GLOBAL LEADER IN POSITIVE DISPLACEMENT PUMPING SOLUTIONS: Cedar Falls, Iowa, USA | Windsor, Ontario, Canada | Shannon, Ireland | Eastbourne, United Kingdom

© Copyright 2020 Viking Pump, Inc. All Rights Reserved. Rev1120 | Form No. 1721